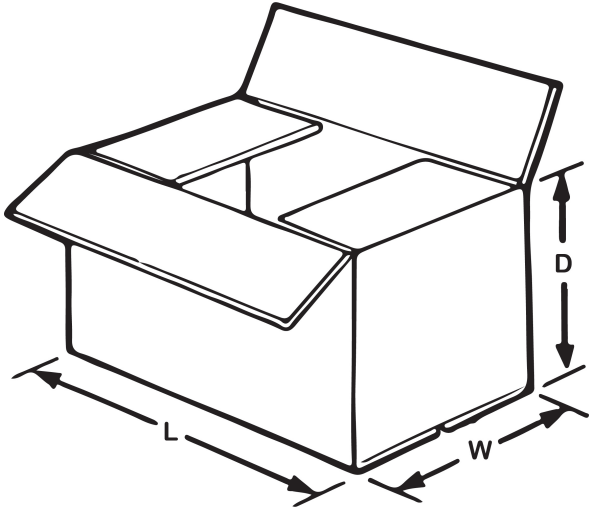


RSC Style (most common)



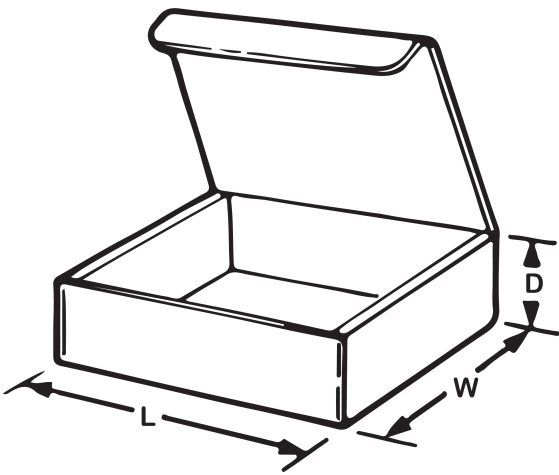
L _____ in.

W _____ in.

D _____ in.

internal dimensions

Tuck Top Mailer



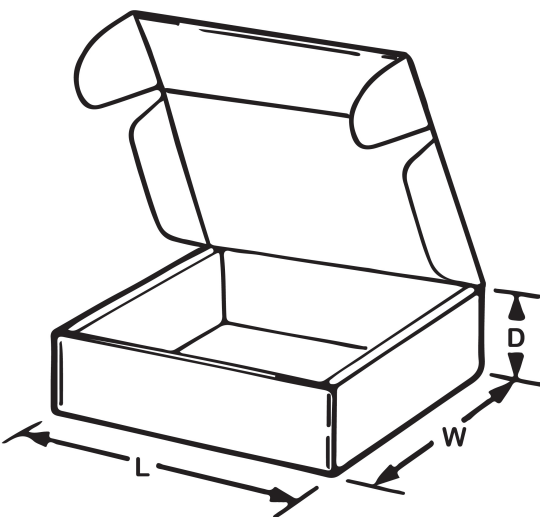
L _____ in.

W _____ in.

D _____ in.

internal dimensions

Tuck Top Mailer with Dust Flaps



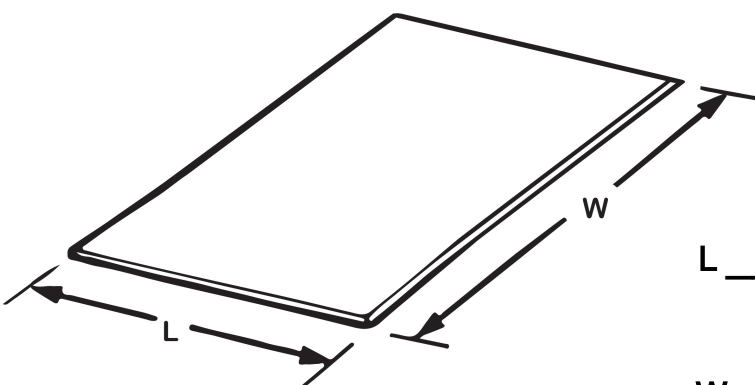
L _____ in.

W _____ in.

D _____ in.

internal dimensions

Slip Sheet



L _____ in.

W _____ in.

internal dimensions

Custom Box Request

Customer Information
Company:
Name:
Phone:
Email:
Req'd Delivery Date:
Quote Qty:

Product Information

Product Weight: _____ lbs

Brief Product Description:

Box Information

Kraft

White

Wall Thickness:

Single Wall (most common)

Double Wall

Triple Wall

Box Insert:

Yes

No

if yes, please fill out custom insert sheet

Print:

Yes

No

Print Notes:

Additional Notes:

we have a solution for that

Tolerances U.O.S.

Tolerances are typically +/- 1/16"