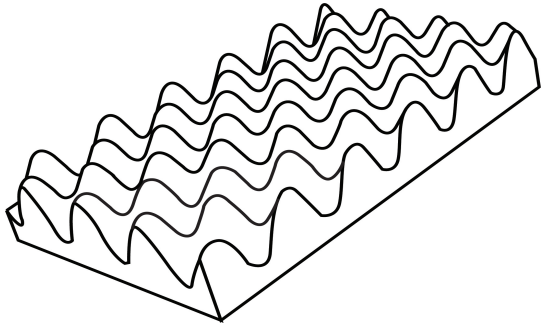


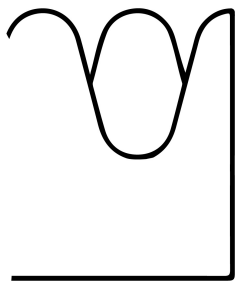
### Convoluted Foam Insert



Box or Crate Internal Dimensions

L \_\_\_\_\_ in. W \_\_\_\_\_ in. D \_\_\_\_\_ in.

Fully Lined?: Yes No



Peak/Valley Height:

\_\_\_\_\_ in.

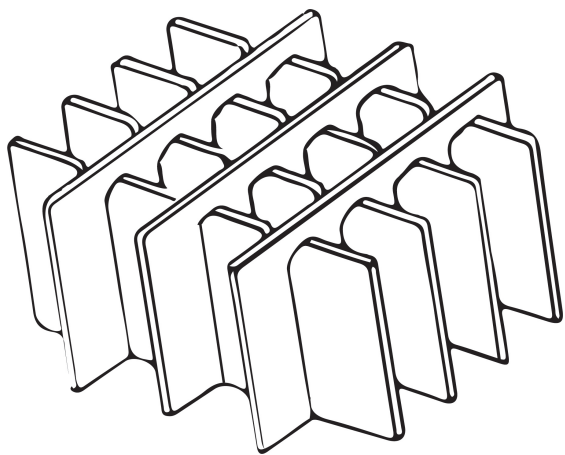
Valley/Base Height:

\_\_\_\_\_ in.

Total Height:

\_\_\_\_\_ in.

### Box Divider Insert



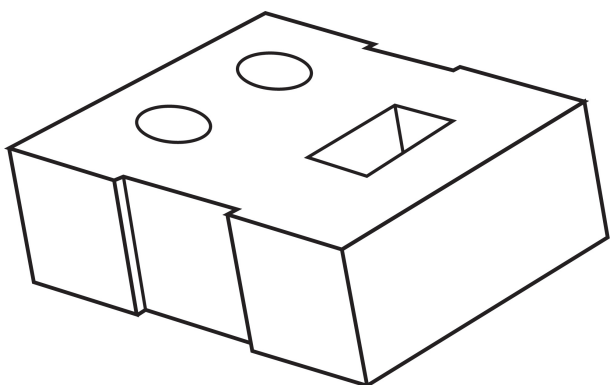
Box or Crate Internal Dimensions

L \_\_\_\_\_ in. W \_\_\_\_\_ in. D \_\_\_\_\_ in.

Material: Corrugate Paperboard

# of Cells \_\_\_\_\_

### Foam Insert



Box or Crate Internal Dimensions

L \_\_\_\_\_ in. W \_\_\_\_\_ in. D \_\_\_\_\_ in.



## Custom Insert Request

Customer Information
Company:
Name:
Phone:
Email:
Req'd Delivery Date:
Quote Qty:

### Product Information

Product Weight: \_\_\_\_\_ lbs

Brief Product Description:

Product Dimensions

L \_\_\_\_\_ in. W \_\_\_\_\_ in. D \_\_\_\_\_ in.

*Please attach a photo of the product if shape is complex*

### Foam Information

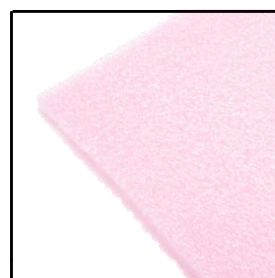
PE (most common):



Polyurethane:



PE Anti-Static:



EVA Dense Foam:



Additional Notes:

*we have a solution for that*

**Tolerances U.O.S.**

Tolerances are typically +/- 1/16"